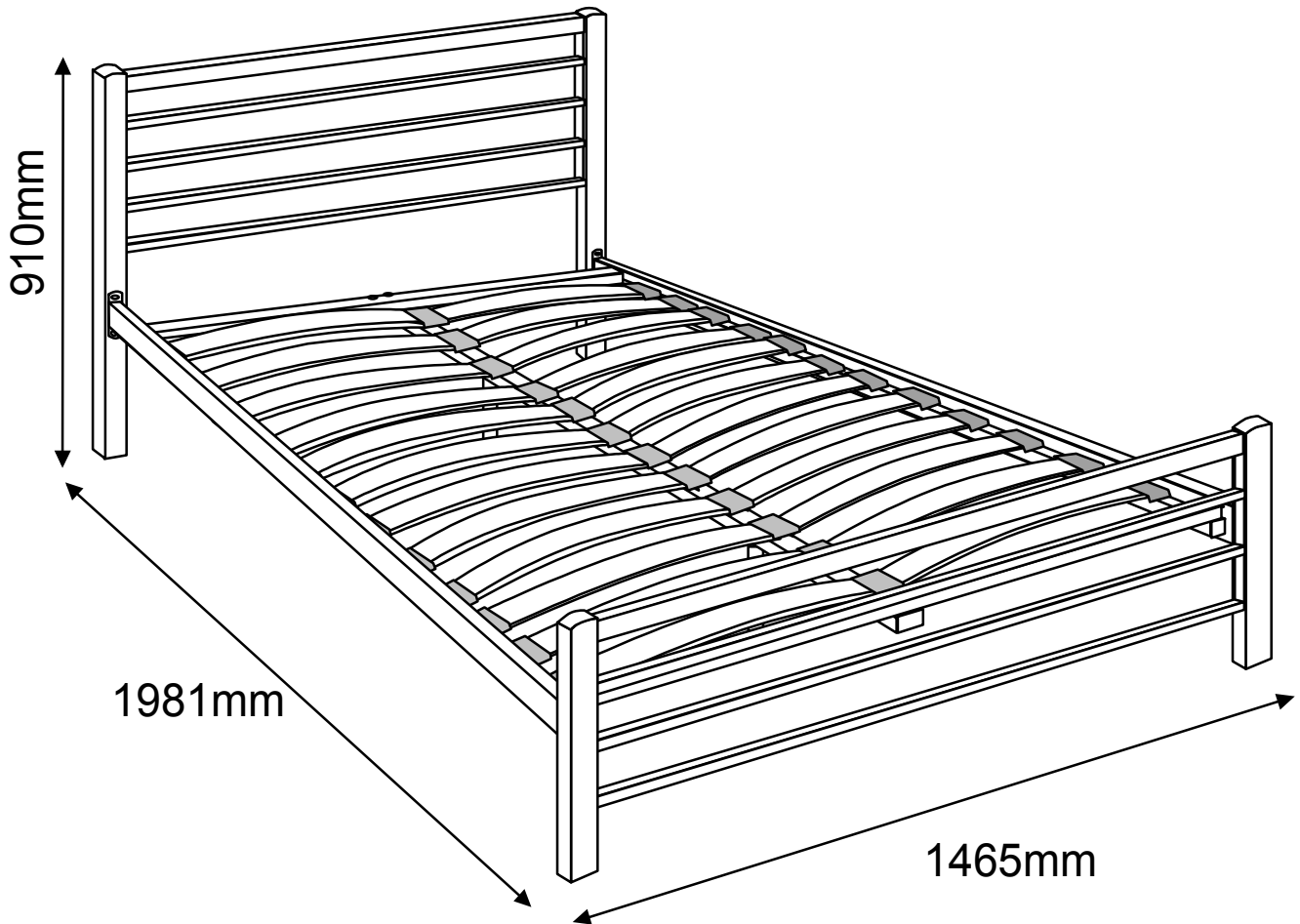




ASSEMBLY INSTRUCTION
ORIENT DOUBLE BED
ITEM CODE - 55754

Imported by Amart Furniture Pty Ltd, Qld, Brisbane Australia.
For any assistance with assembly or for missing parts please phone
Amart Furniture, Customer Service Free call 1800 351 084



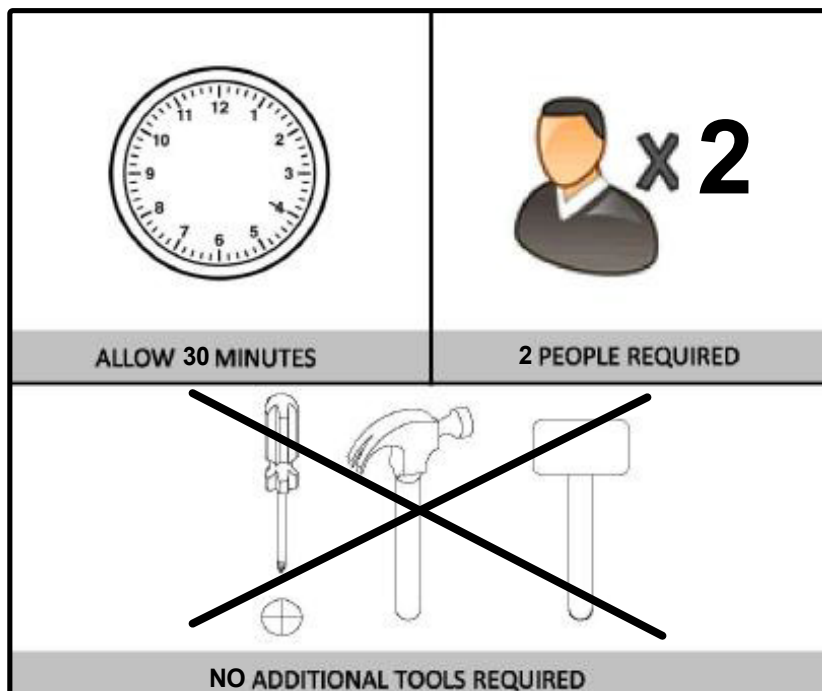
Imported by Amart Furniture Pty Ltd, Qld, Brisbane Australia.
For any assistance with assembly or for missing parts please phone
Amart Furniture, Customer Service Free call 1800 351 084



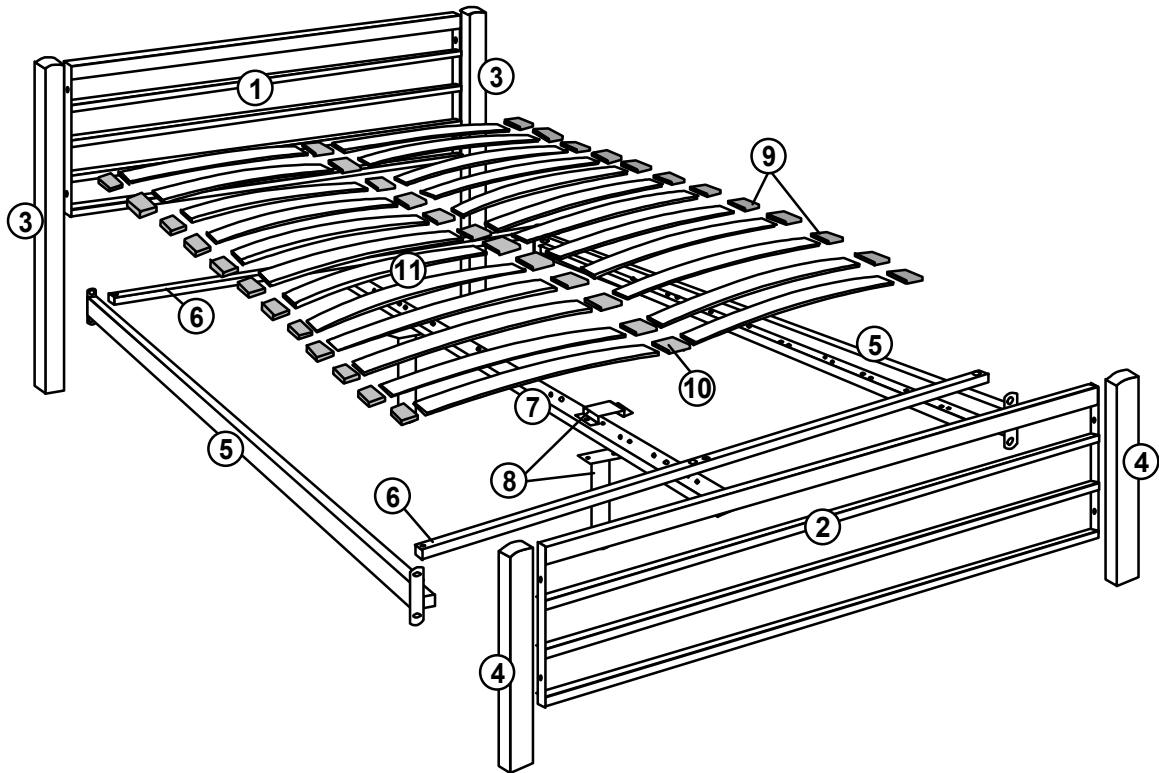
PRE-ASSEMBLY PREPARATION

Before you start:

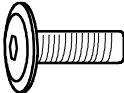
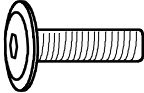
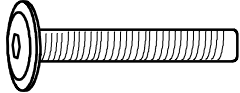
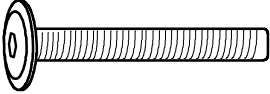
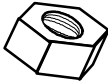

1. Choose a clean, level, spacious assembly area. Avoid hard surfaces that may damage the product
2. Take care when lifting. Product should be assembled as near as possible to the point of use
3. Ensure that you have all required contents for complete assembly
4. Always read the assembly instructions carefully before beginning assembly.
5. Keep all hardware parts and packaging out of reach of small children.
6. Do not over tighten the screws and bolts as this may damage the threads



PART LIST

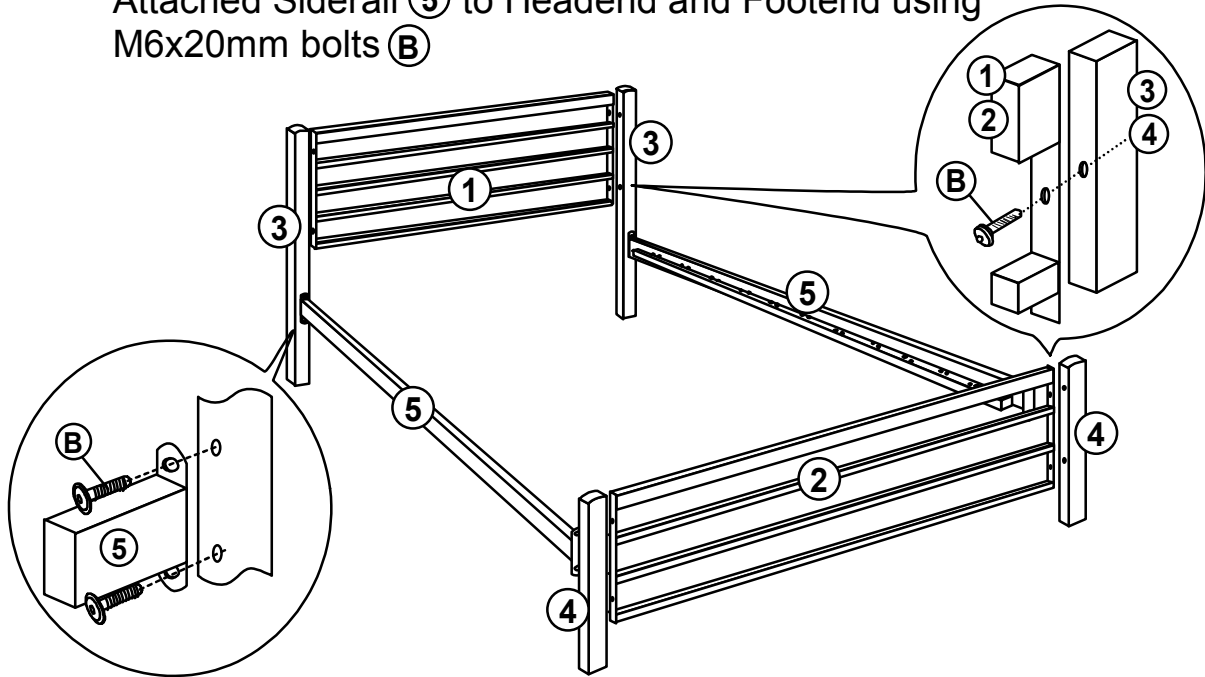


1	Metal Headframe x 1pc	7	Centre Rail x 1pc
2	Metal Footframe x 1pc	8	Support Legs x 2pcs (with bracket)
3	Headend Wooden Post x 2pcs	9	Side Plastic Caps x 24pcs
4	Footend Wooden Post x 2pcs	10	Centre Plastic Caps x 12pcs
5	Siderail x 2pcs	11	Bend Wood Slats x 24pcs (678mmx62mmx9mm)
6	Cross Rail x 2pcs		

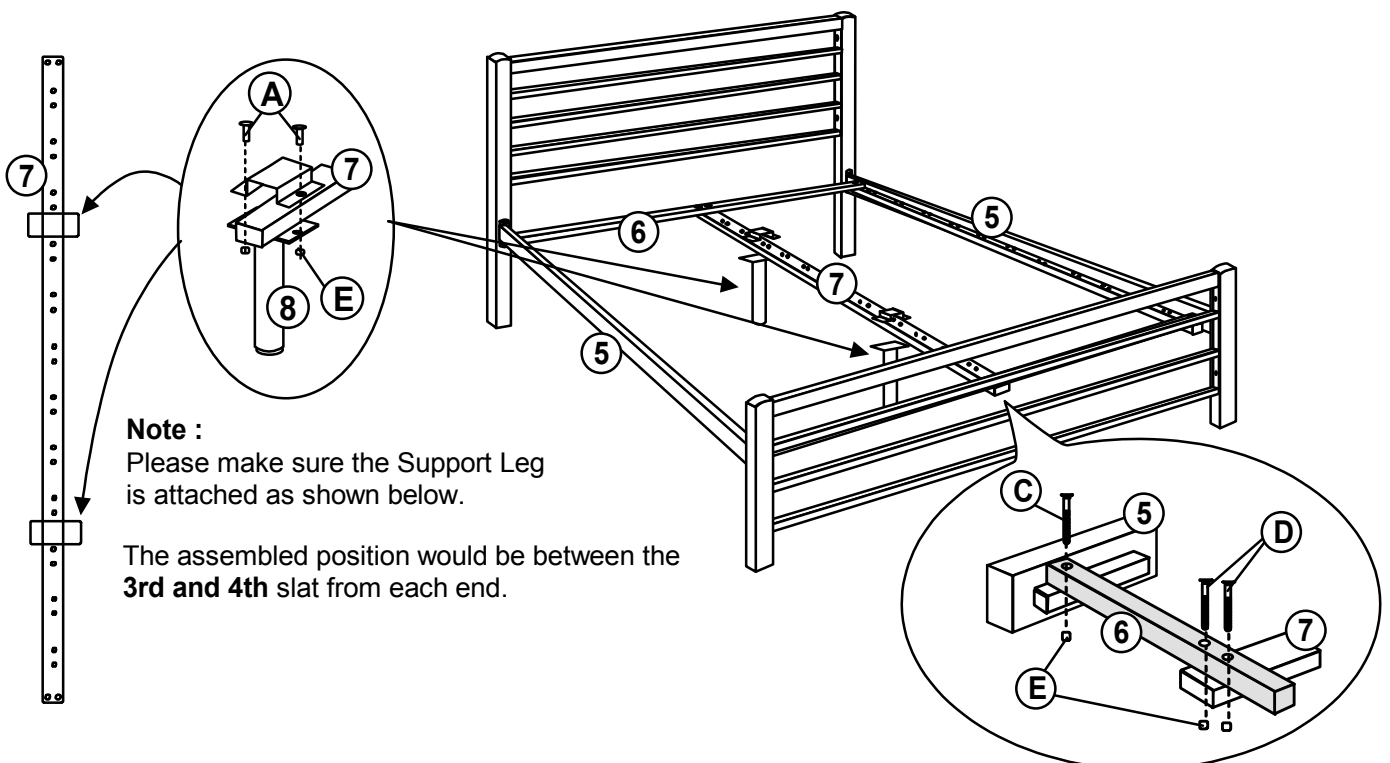
(A) M6x15mm bolts x 4pcs 	(B) M6x20mm bolts x 16pcs 	(C) M6x50mm bolts x 4pcs 
(D) M6x60mm bolts x 4pcs 	(E) M6 Hex nut x 12pcs 	(F) M4 Allen Key x 1pc (used with M6 bolts) 

ASSEMBLY..

STEP 1: Attached Metal Headframe/Footframe (1) (2) to Headend/Footend Wooden Post (3) (4) to form Headend & Footend using M6x20mm bolts (B)
Attached Siderail (5) to Headend and Footend using M6x20mm bolts (B)

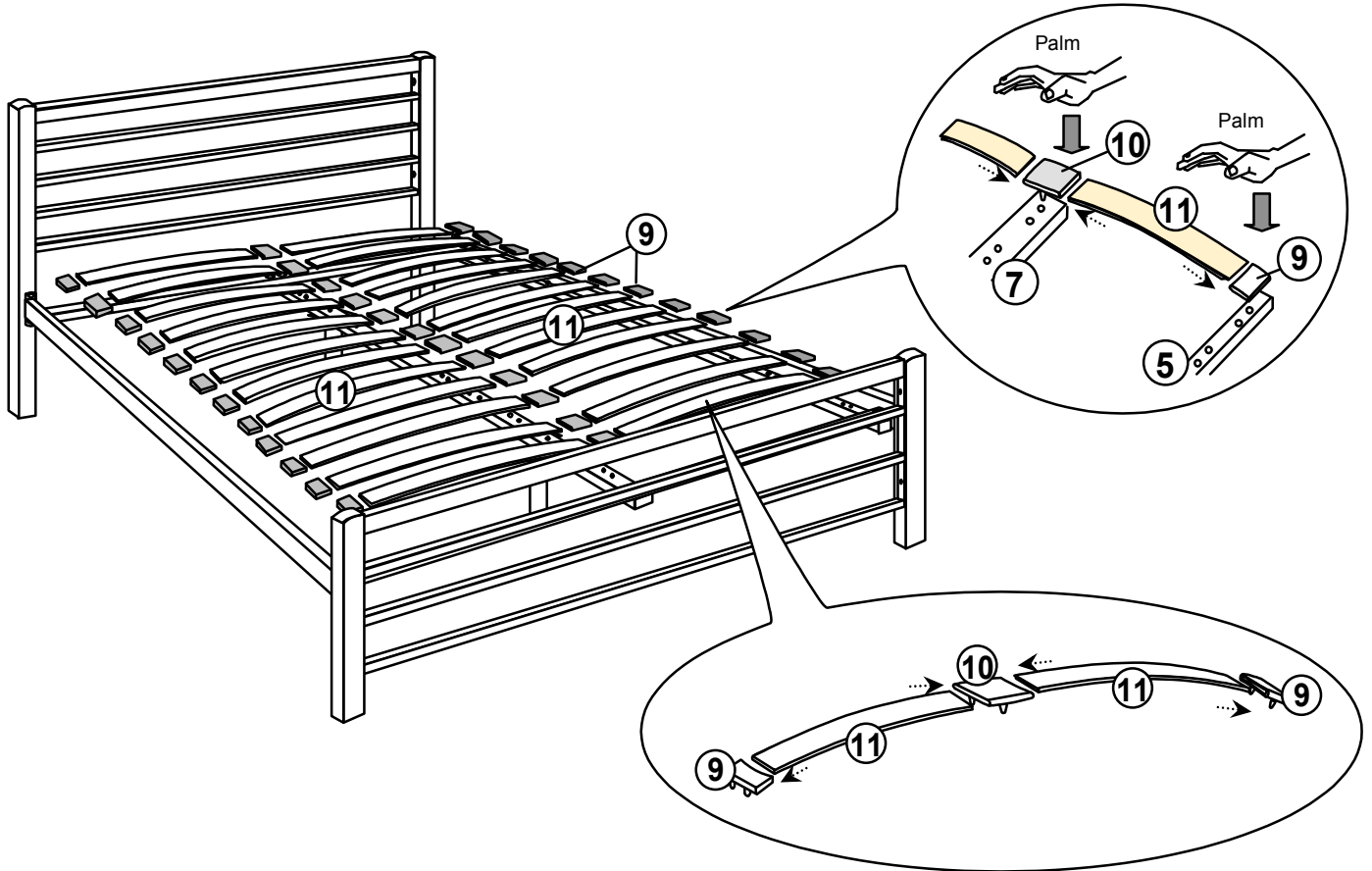


STEP 2: Attach Cross Rail (6) and followed by the Centre Rail (7) to form the bed base.
Attach Support Legs (8) to the Centre Rail (7)
Please follow the NOTE.

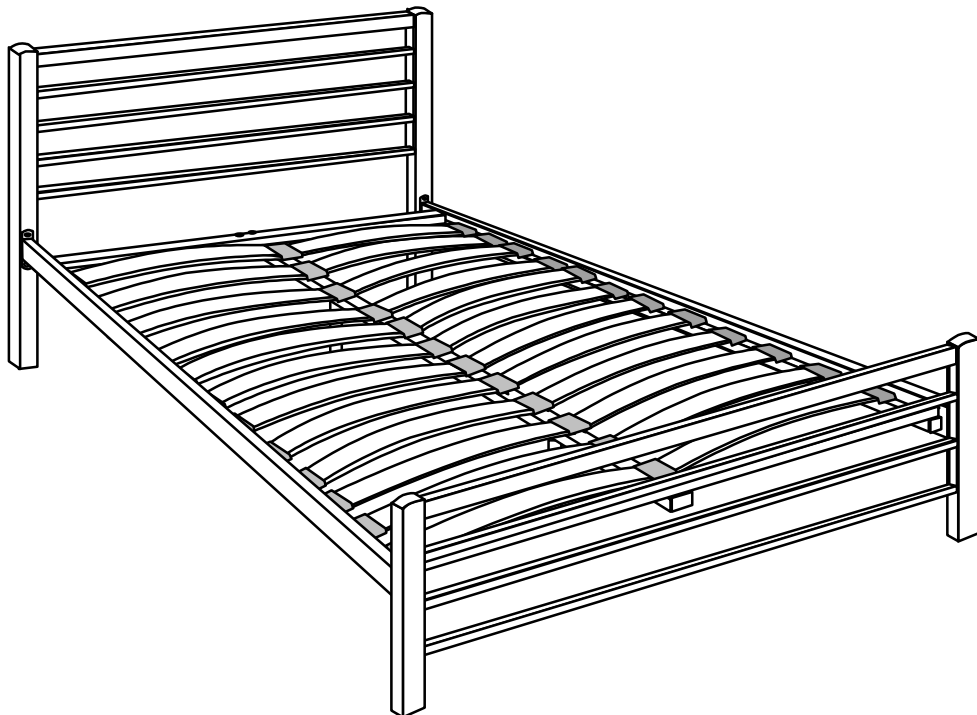


ASSEMBLY..

STEP 3: Insert the Bend Wood Slats (11) into the Side/Centre Plastic Holder (9) (10)
Align the pins on the Side/Centre Plastic Holders (9) (10) to the holes along the Side/Centre Rail (5) (7) . Gently tap them into the holes.



Assembly Is Complete



CARE AND MAINTENANCE

FURNITURE/ BED

1. When assembling your furniture/ bed please ensure that you have checked the contents for all relevant parts.
2. When tightening bolts make sure that they are fully tightened but not forced.
3. When moving your fully assembled bed you must first remove the mattress and lift the frame into position, take care when lifting and always have two people handling the bed. PLEASE DO NOT DRAG THE BED as this will cause damage to the rail.
4. It is advisable to use approved cleaning products when cleaning the furniture and bed frame as certain chemical based cleaners could have an adverse effect on the bed finish.